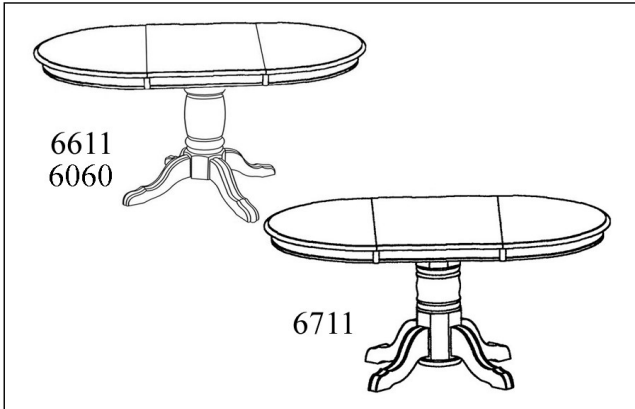


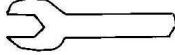
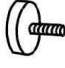

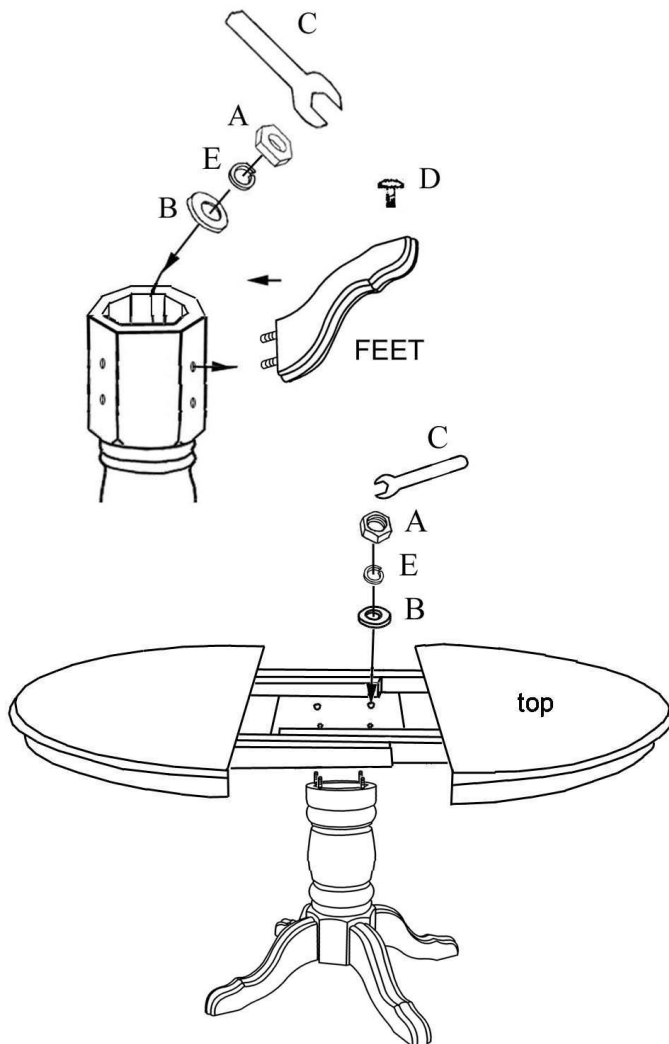


Thank you for purchasing this quality product. Be sure to check all packing material carefully for small parts which may have come loose inside the caution during shipment.

\*\*Assemble the table on a flat, soft surface to prevent scratching the table finish. Read all instructions and study the drawings carefully before starting the assembly process.



Hardware List			
A. Nut		5/16"	12 PCS
B. Washer		5/16"	12 PCS
C. Wrench			1 PC
D. Leg leveller			4 PCS
E. Lock washer		5/16"	12 PCS



- 1). Turn the pedestal upside down. Do not remove the plastic bolt protectors at this step.
- 2). Attach each feet to the pedestal as shown in the diagram using washers and nuts supplied. Tighten all nuts firmly.
- 3). Turn the assembled pedestal right side up and place it in your desired location. Adjust the leg levellers at the bottom of each leg so that pedestal remains solid without rocking. Remove the plastic bolt protectors before doing the next step.
- 4). Release the brass sash locks located underneath the table. Then pull the ends of the table slightly apart and remove the center leaf of the table top.
- 5). Place the open table top over the pedestal and while aligning the holes in the table mounted boards with the bolts on the pedestal, set the table down on the top of the pedestal.
- 6). Using washers & nuts supplied. Put on the washer and nut for each pedestal bolts as shown. Tighten the nuts firmly with the wrench provided.
- 7). Reinstall the leaf onto the table top. Close the table by pushing on the ends, and tighten the sash locks.