




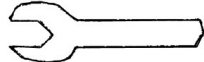
# OAK LAMINATE TABLE

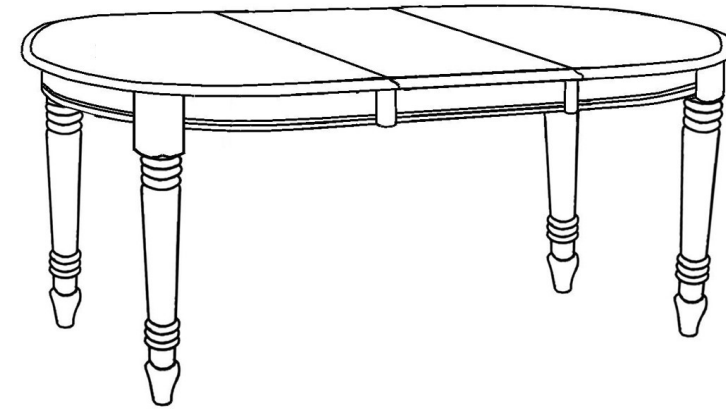
( FOR #6072 )

## ASSEMBLY INSTRUCTION

1. Turn the table top upside down, place it on a flat and soft surface.
2. Remove the legs from the boxes fixed on the bottom of the table.
3. Remove the plastic bolt protectors. Lock the plastic leveller to the bottom of the leg.
4. Set the legs into the corner of the aprons, while aligning the hole in the corner with the bolt on the leg.
5. Connect the Leg and the corner by using the nuts and washes supplied. Tighten the nuts firmly with the wrench.
6. Repeat for the other legs.
7. Turn the table right side up. Adjust the leg levellers so that the legs remains solid without rocking.

## PARTS LIST

Nut		5/16	8 pcs
Washer		9 m/m	8 pcs
Lock Washer		9 m/m	8 pcs
Wrench			1 pc



6072

