

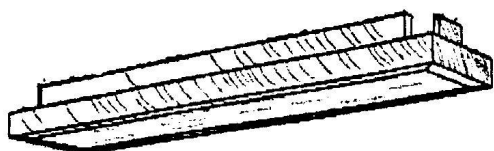
ASSEMBLY INSTRUCTIONS

ITEM NO: 1460 BENCH

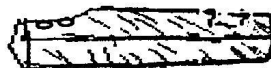
****Thank you for purchasing this quality product. Be sure to all packing material carefully for small parts that may have come loose inside the carton.**

Note: place all woodea parts on a clean and smonth surface such as a rug or carpet to avoid scratching the product. Kindly follow the assembly instructions by step.

Do not tighten all screws and botls until the Bench is fully assembly.



A 1PCS



B 4PCS

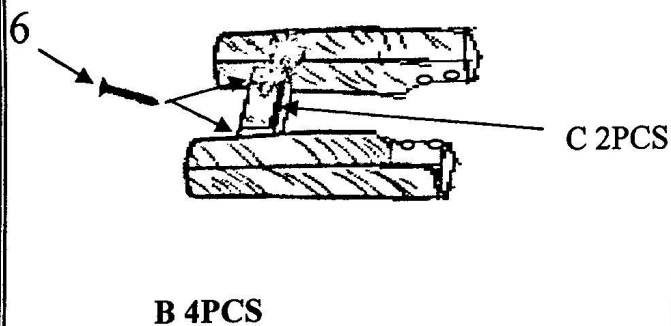


C 2PCS

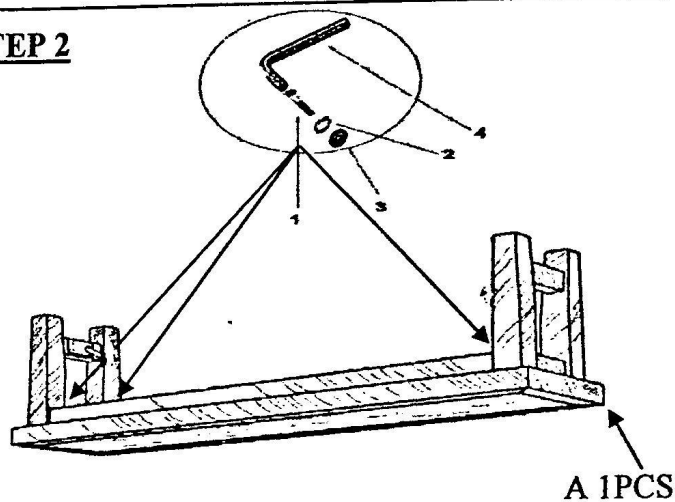


D 2PCS

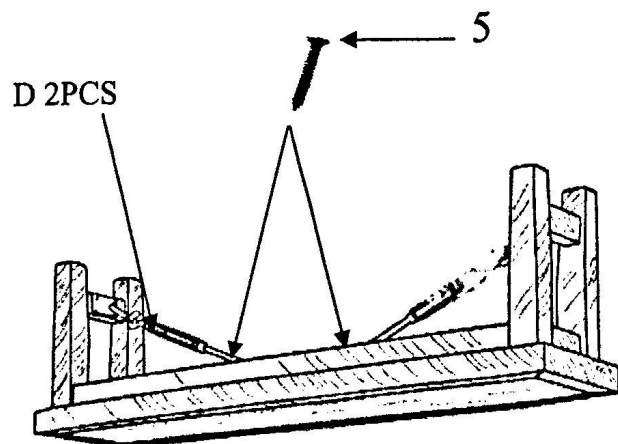
STEP 1



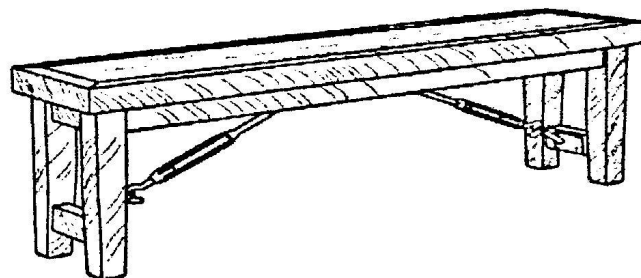
STEP 2



STEP 3



FINISH



HARDAWRE LIST

1		Bolt (M8 x 50 mm)	8pcs
2		Spring washer	8pcs
3		Flat washer (5/16)	8pcs
4		Alien key	1pcs
5		Screws (M4 x 25 mm)	12pcs
6		Screws (M4 x 45 mm)	4pcs