


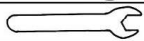

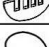




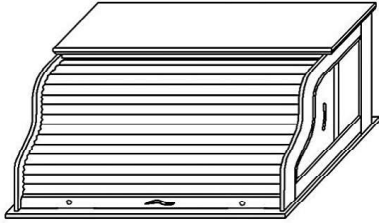
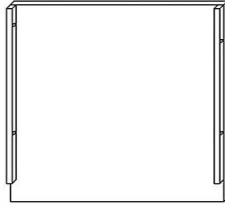


a, bolts 5/16"x1-1/2"		8pcs
b, flat washers		8pcs
c, lock washers		8pcs
d, wrench		1pc
e, screws		10pcs
f, hole cover		1pc
g, hole cover		1pc
h, shelf pin		4pcs
i, keys		6pcs
j, the power outlet		1pc

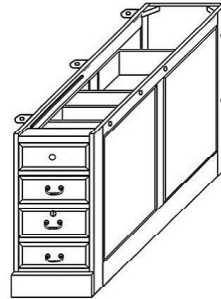
PART LIST:



A. Top Section
1set



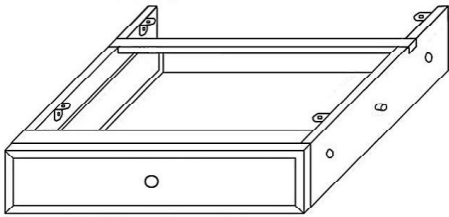
B. Back Panel
1pc



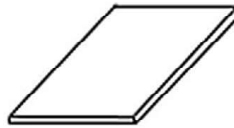
C. Left Base
1set



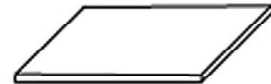
D. Right Base
1set



E. Center Drawer
1set

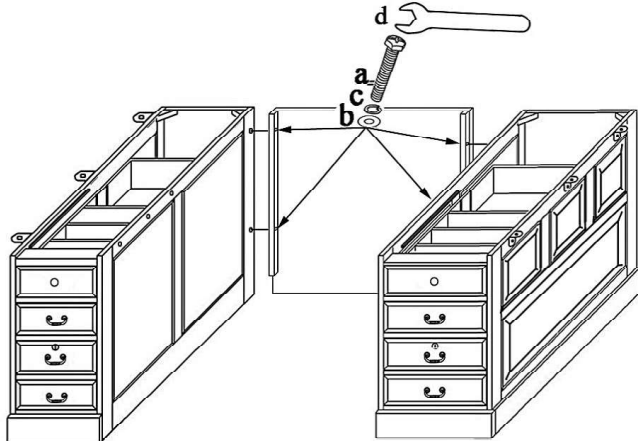


F. Writing Board
2pcs

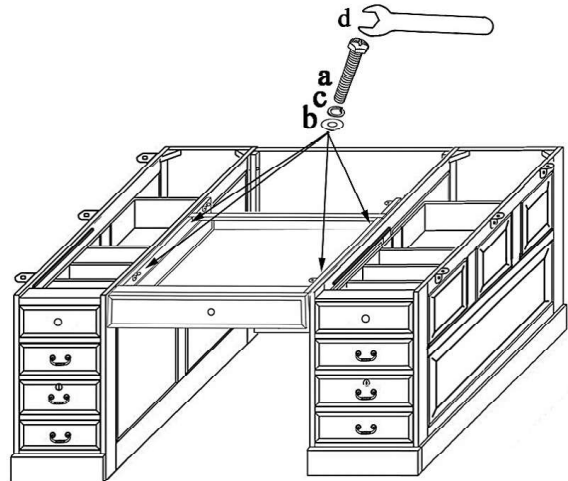


G. Shelf
1pc

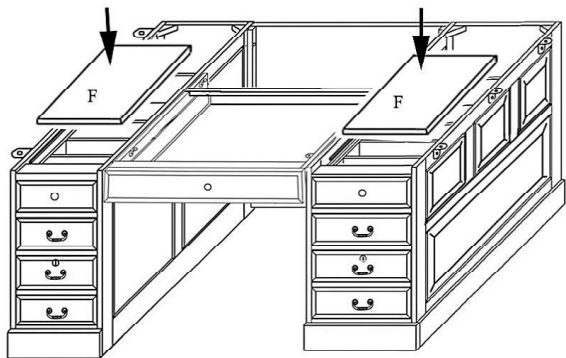
Step 1:
Connect the Back Panel, Left Base and Right Base by using the Bolts, Spring Washers and flat washers with Wrench, but do not tighten them firmly **this moment**.



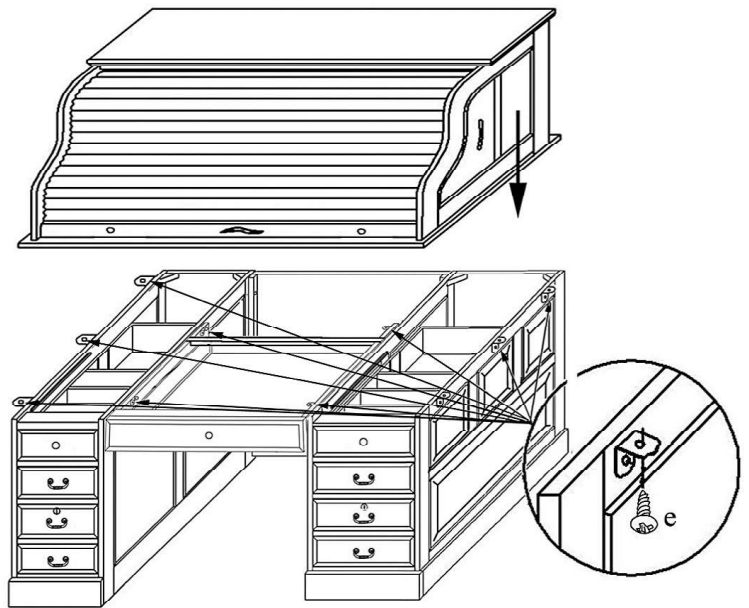
Step 2:
Put the Drawer Box in the place between Left Base and Right Base, and connect them using the Bolts, Spring Washers and Flat Washers with Allen Wrench. Tighten Back Panel, Drawer Box, Side Panel and Right Base firmly.



Step 3: Put the Writing Board(F) on the top of Base(C & D).



Step 4: Place the Top Section(A) to the Base, then using Screws(e) connect them together.



Step 5: Put the Shelf Pin(h) into hole of the Base and then put the Shelf(G) on them.

Step 6: Insert the Hole cover(g) into the hole on the Desk Top.

Step 7: Insert the Hole cover(h) into the hole on the Back Panel(B).

