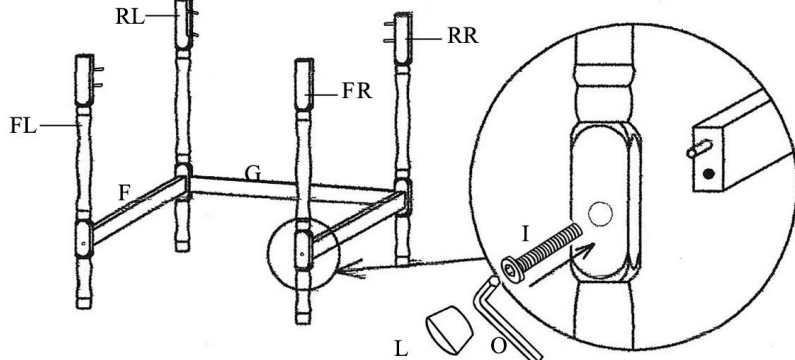


A) DESK TOP 1SET	B) FONT LEG 1PC (LEFT)	C) FONT LEG 1PC (RIGHT)	D) REAR LEG 1PC (LEFT)	E) REAR LEG 1PC (RIGHT)
F) SIDE STRETCHER 2PCS	L) Button $\phi$ 13mm 6PCS			
G) REAR STRETCHER 1PC	M) KEY 2PCS			
H) Nuts 8PCS 5/16"	N) Wrench 1PC			
I) Bolt 6PCS 1/4" x 1-3/4"	O) ALLEN 1PC 4mm			
J) Washer 8PCS 5/16"	P) SCREWS 2PCS			
K) Lock Washer 8PCS 5/16"	Q) THE POWER OUTLET 1PC			



**STEP 1:**  
Connect the stretchers (F and G) with the table legs (B/C/D/E) by inserting the dowpin into the holes on the table legs. And fix them by using bolts with the Allen provided.

**STEP 2:** 1, Attach the legs onto the corner blocks, and fix them by using bolts, lock washers and washers with the Allen provided. Put the screw cap into the holes on the table legs.

2, Use screw to attach the power outlet on the Desk Top.

