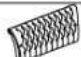










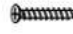








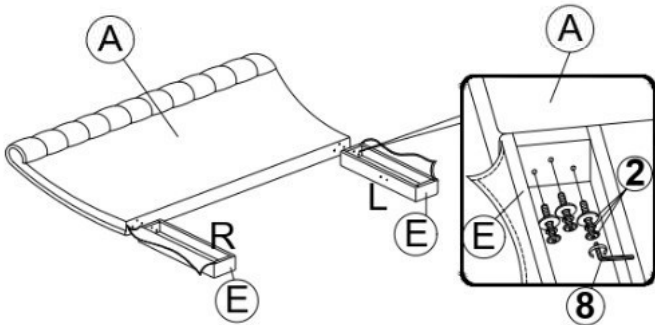


# ASSEMBLY INSTRUCTION

**MODEL: SB72105QFW**

**DESCRIPTION: SLEIGH QUEEN BED**

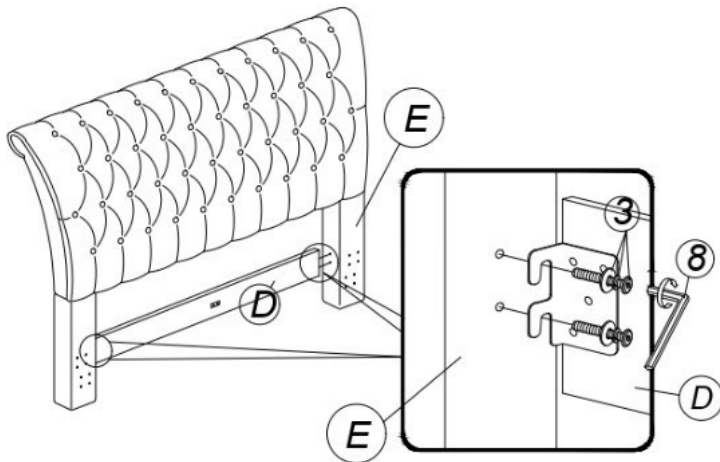
<b>PART LIST</b>				<b>PART LIST</b>				
NO	DESCRIPTION	SKETCH	QTY		DESCRIPTION	SKETCH	SIZE	QTY
A	HEADBOARD		1 PC	1.	BOLT		M8 X 50mm	2 PCS
B	FOOTBOARD		1 PC	2.	BOLT (LOCK WASHER+FLAT WASHER)		M8 X 50mm	6 PCS
C	SIDE RAIL(LEFT & RIGHT)		2 PCS	3.	BOLT (LOCK WASHER+FLAT WASHER)		M8 X 25mm	28 PCS
D	HEADBOARD SUPPORT		1 PC	4.	BOLT (LOCK WASHER+FLAT WASHER)		M6 X 35mm	6 PCS
E	HEADBOARD LEGS (LEFT&RIGHT)		2 PCS	5.	BOLT (LOCK WASHER+FLAT WASHER)		M6 X 25mm	2 PCS
F	FOOTBOARD LEGS		2 PCS	6.	SCREWS		M4 X 32mm	12 PCS
G	SLATS		14 PCS	7.	ALLEN KEY		M4	1 PC
H	SUPPORT LEGS		3 PCS	8.	ALLEN KEY		M5	1 PC
I	CENTER WOOD SUPPORT		1 PC	9.	PHILIPS HEAD SCREWDRIVER		NO INCLUDED	
J	SIDE RAIL BRACKET		4 PCS					
K	CENTER WOOD BRACKET		2 PCS					



**STEP 1 :**

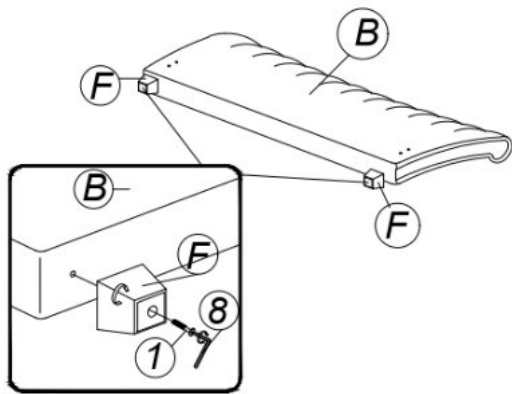
**ASSEMBLY HEADBOARD LEG (E) WITH HEADBOARD (A) BY USING BOLT (2) (LOCK WASHER + FLAT WASHER) & ALLEN KEY (8)**

# Do not tighten the bolt until the headboard support assembly with the headboard legs (left & right).



**STEP 2 :**

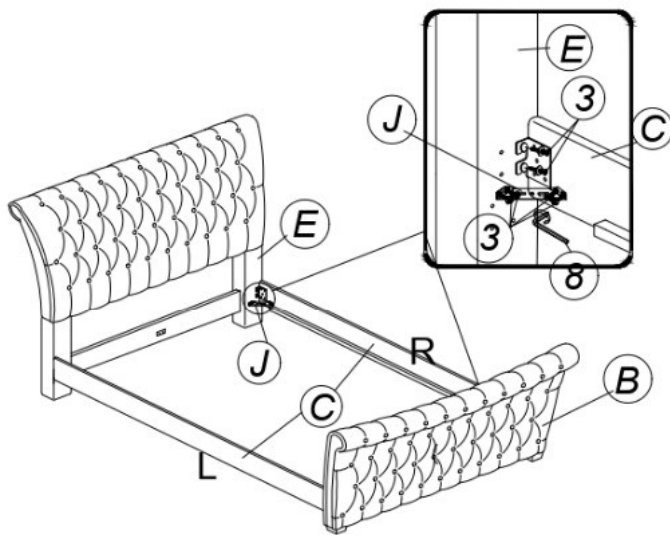
**ASSEMBLY HEADBOARD SUPPORT (D) WITH HEADBOARD LEG (E) (LEFT & RIGHT) BY USING BOLT (3) (LOCK WASHER + FLAT WASHER) & ALLEN KEY (8)**



**STEP 3 :**

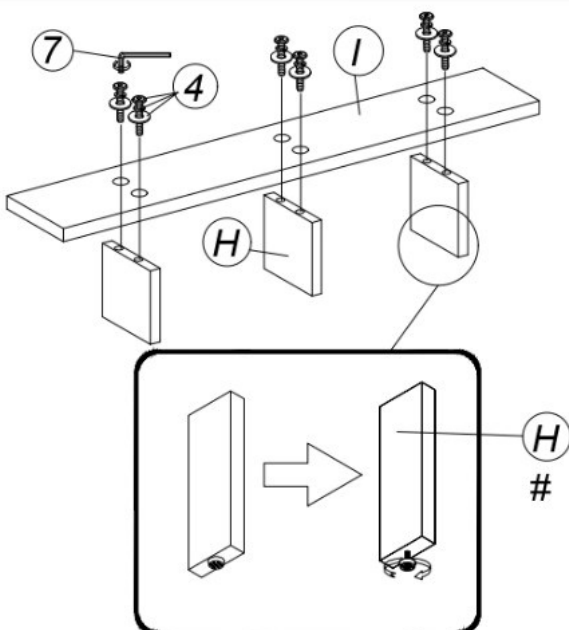
**ASSEMBLY FOOTBOARD (B) WITH FOOTBOARD LEG (F) BY USING BOLT (1) & ALLEN KEY (8)**

**STEP 4 :**



**A) ASSEMBLY SIDE RAIL ( LEFT & RIGHT) (C) WITH HEADBOARD LEG (E) & FOOTBOARD (B) BY USING BOLT (3) (LOCK WASHER + FLAT WASHER) & ALLEN KEY (8)**

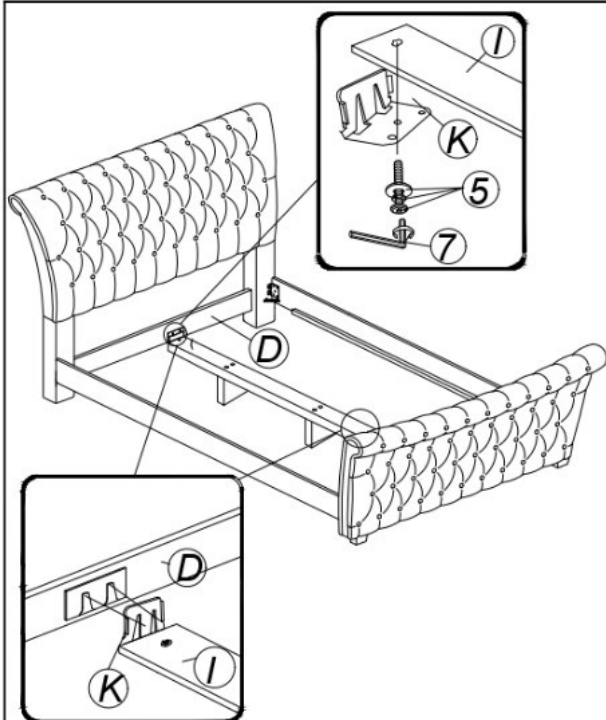
**B) ASSEMBLY SIDE RAIL BRACKET (J) WITH SIDE RAIL (C) & HEADBOARD LEG (E) (LEFT & RIGHT) BY BOLT (3) (LOCK WASHER + FLAT WASHER) & ALLEN KEY (8)**



**STEP 5 :**

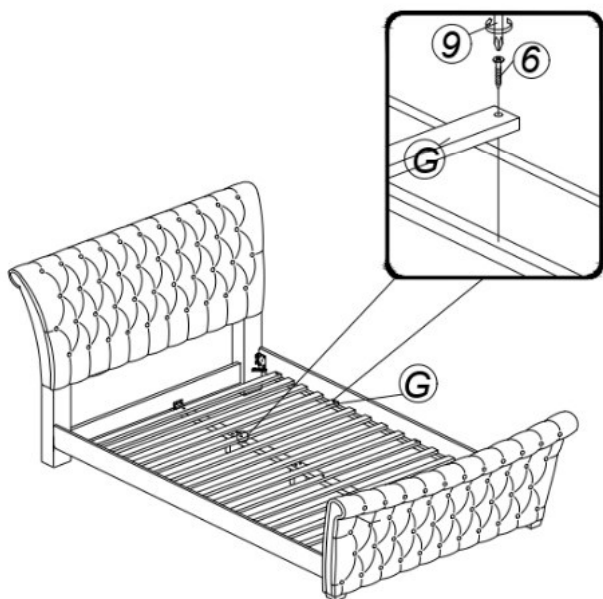
**ASSEMBLY SUPPORT LEG (H) TO CENTER WOOD SUPPORT (I) BY USING BOLT (4) (LOCK WASHER + FLAT WASHER) & ALLEN KEY (7)**

**#** The Glides under the support legs can be adjusted later to keep the slats level on uneven surfaces



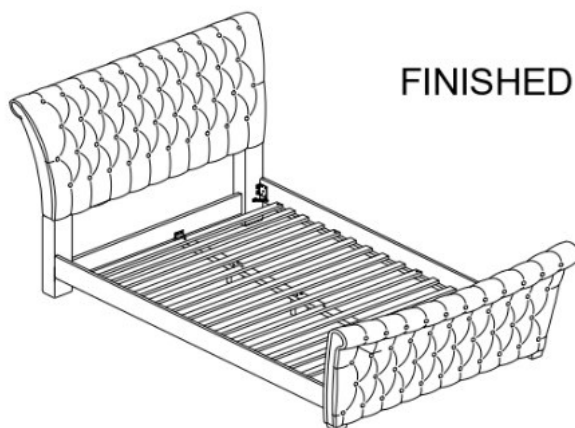
**STEP 6 :**

- A) ASSEMBLY CENTER WOOD BRACKET (K) WITH CENTER WOOD SUPPORT (I) BY USING BOLT (5) (LOCK WASHER + FLAT WASHER) & ALLEN KEY (7)
- B) ASSEMBLY HEADBOARD SUPPORT (D) & FOOTBOARD (B) WITH CENTER WOOD BRACKET (K)



**STEP 7 :**

- A) SECURE SLATS (G) WITH SCREW (6) BY PHILIPS HEAD SCREWDRIVER (9) (no included)



**FINISHED**