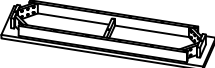
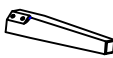




# ASSEMBLY INSTRUCTIONS

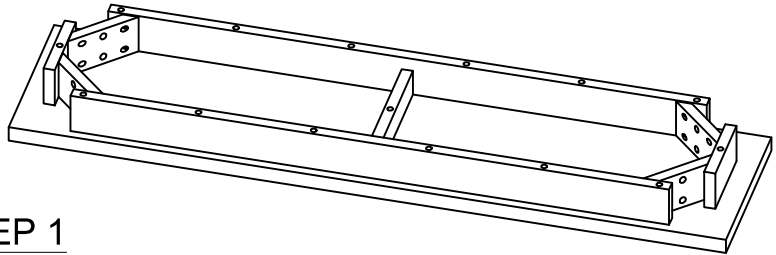
## SM1460 PA -PB

### PARTS CHECK LIST

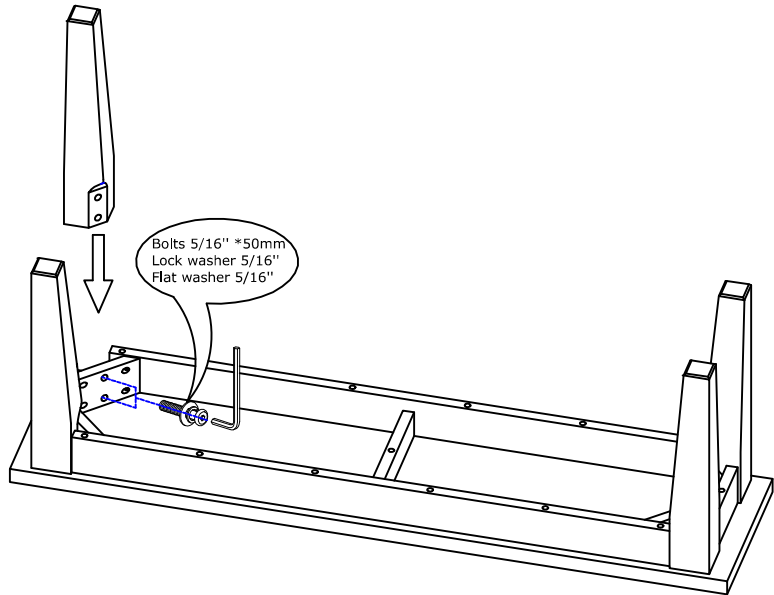
No.	Part name	Qty.
1		1
2		4

### HARDWARE

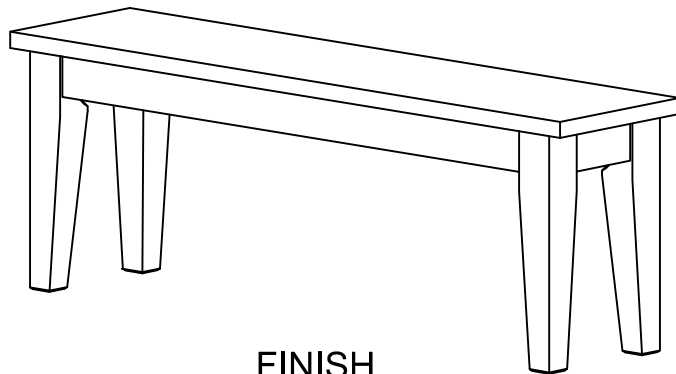
No.	Description		Qty.
	Photo	Specification	
1		Bolts 5/16" *50mm Lock washer 5/16" Flat washer 5/16"	8
2		4x60mm	1



### STEP 1



### STEP 2



### FINISH