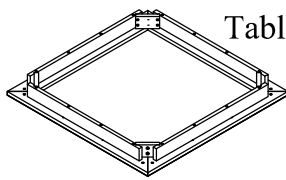
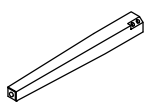


ASSEMBLY INSTRUCTIONS

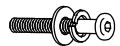

SB3637WAW

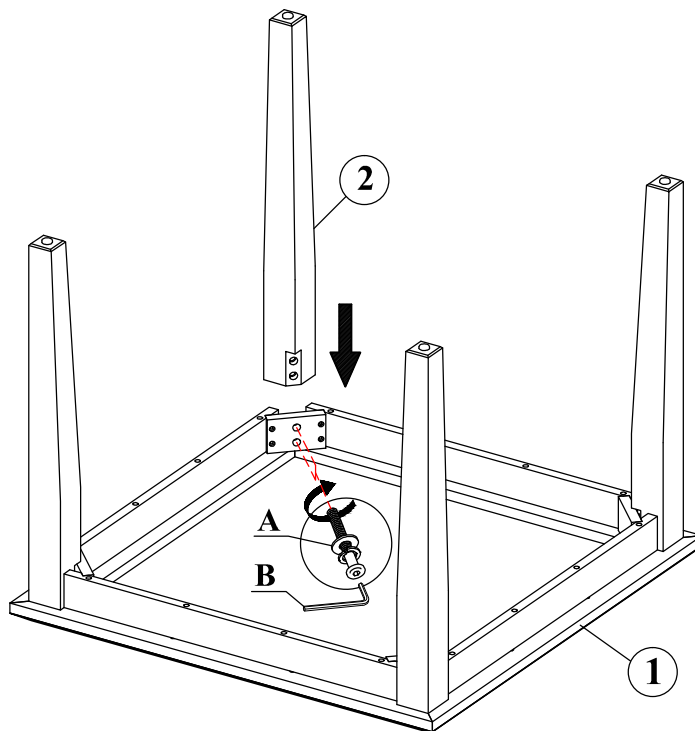
Thank you for purchasing this quality product. It has been designed for assembly so please follow the assembly instructions below carefully.

PARTS CHECK LIST

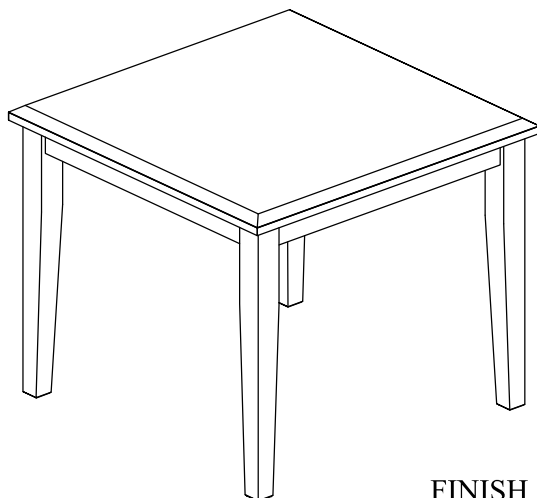
NO.	PART NAME	Q'TY
1	 Table Top	1
2	 Leg	4

HARDWARE

ITEM	DESCRIPTION		Q'TY
	Sketch	Specification	
A		Bolts 5/16" *2-1/2" Lock washer 8mm Flat washer 8*19*2mm	8
B		Allen Key (4*30*80mm)	1



STEP 1



FINISH