

**ITEM:SHL3672 SHELTON  
SOLID TOP SELF-STORAGE  
EXT.LEG TABLE**

**SIZE: 36" X 54"+18"(72") X 30 1/4"H**

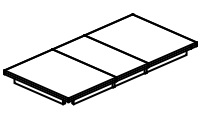

# Assembly Instruction





Thank you for purchasing this quality product.



## Important Notes

- \* Keep all hardware parts out of reach of children.
- \* Must tighten screws periodically. With use screws will become loose. Check tightness of all screws every 6-8 weeks.
- \* Don't attempt to repair or modify parts that are broken or defective. Please contact the store immediately.
- \* Do not tighten all screw / bolt until all completely assembled.

NO	PART LIST		Q'TY
A		Table Top	1 Pc
B		Leg	4 Pcs

NO	HARDWARE LIST		Q'TY
1		Hex Bolt	8 pcs
2		Lock Washer	8 pcs
3		Flat Washer	8 pcs
4		Wrench	1 pc

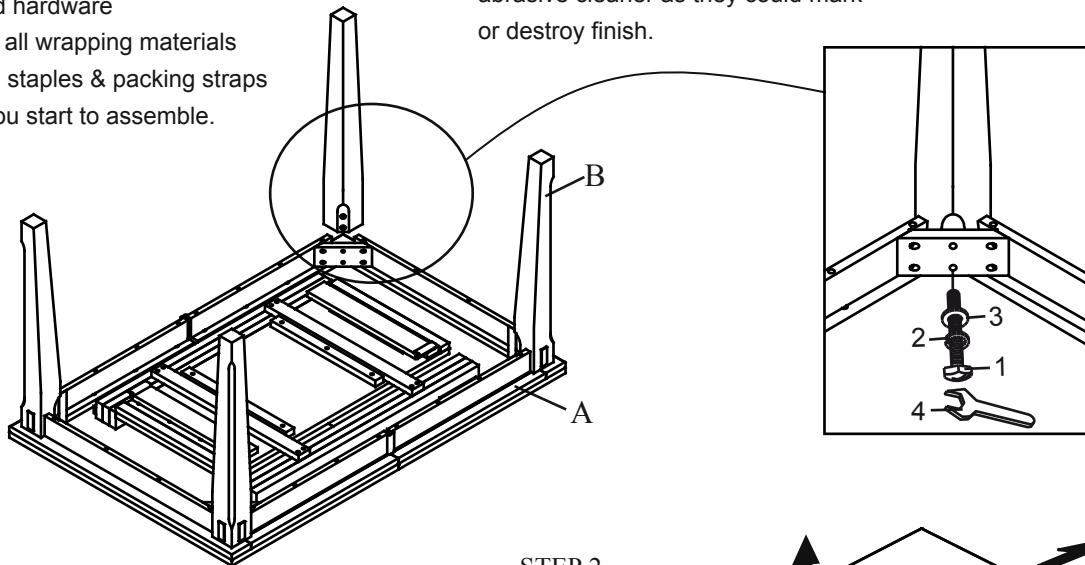
### Notes

- \* Place all wooden parts on a clean and smooth surface such as a rug or carpet to avoid the parts from being scratched.
- \* Check to be sure that you have all parts and hardware
- \* Remove all wrapping materials including staples & packing straps before you start to assemble.

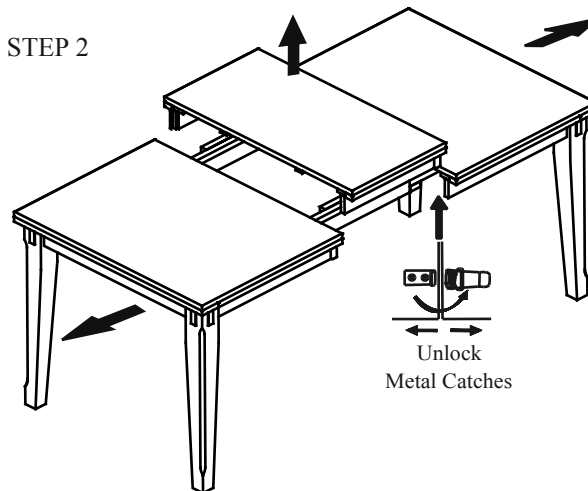
### Care And Maintenance

- \* The Touch of a soft cloth is all the maintenance your wood pieces will ever need.
- \* Never use harsh chemicals or abrasive cleaner as they could mark or destroy finish.

#### STEP 1



#### STEP 2



#### STEP 3

